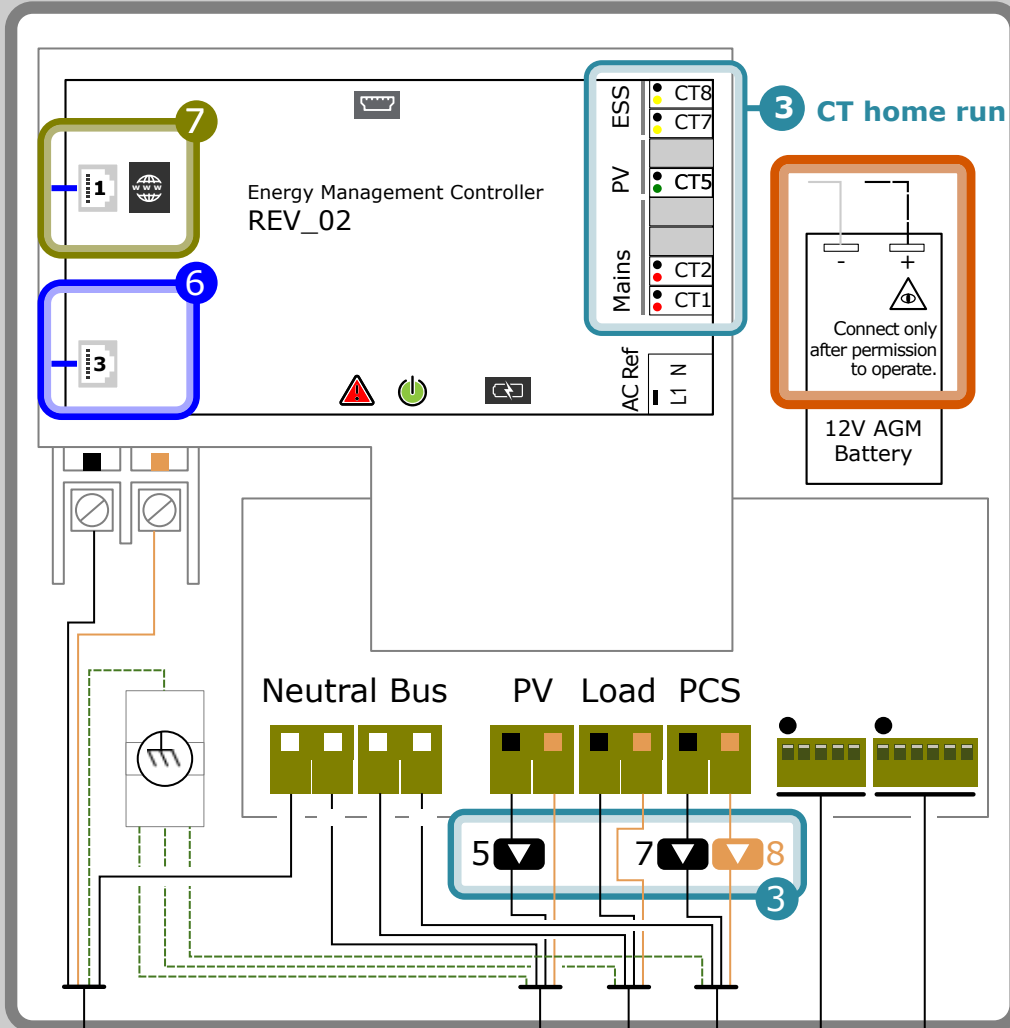
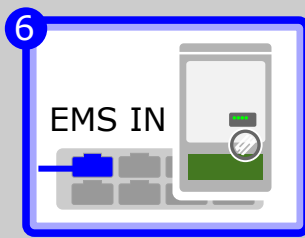


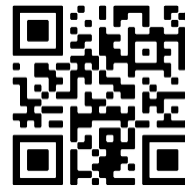
1 = L1

CT1 placement determines the L1 phase for the entire system; including the Hub, ESS, and PV circuits.



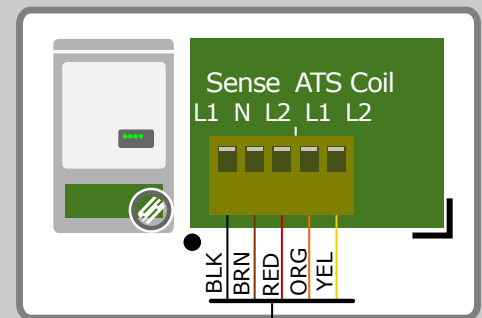
CT legend

- Blk
 - Wht
- Observe CT polarity and direction.

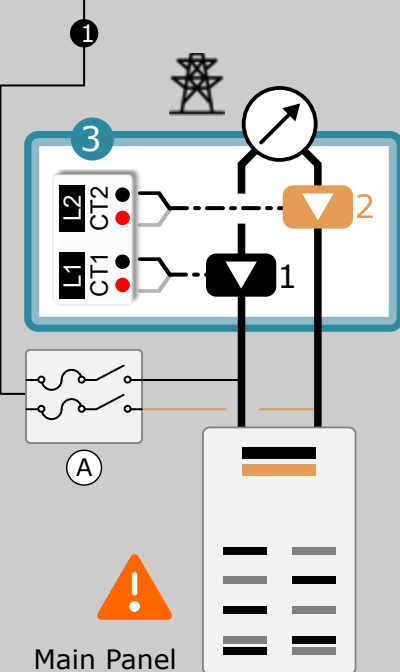
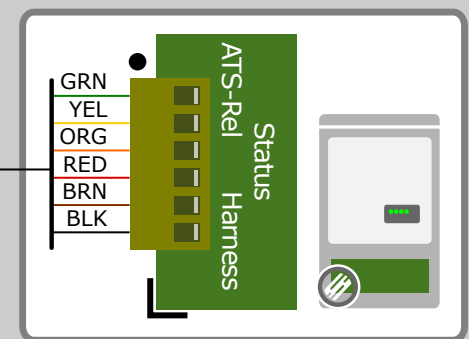


Wiring legend

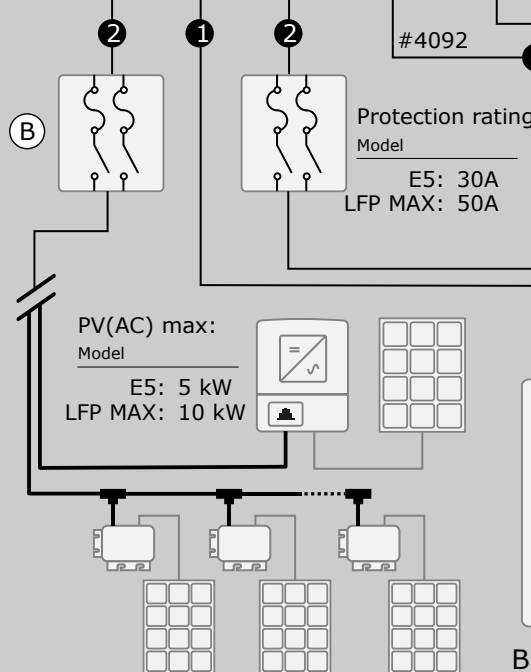
- Hub model rated
 - #8/3 + GND
 - #18/2 UTP
 - 6c patch cable
 - 5c patch cable
 - CAT-5 patch cable
 - CAT-5 UTP to customer internet router
- included with equipment.
- (A) MAX HUB 200 = 200A max
MAX HUB = 100A max
 - (B) PV circuit protection sized for PV inverter AC output -- not to exceed ratings as per the applicable Evolve ESS model.



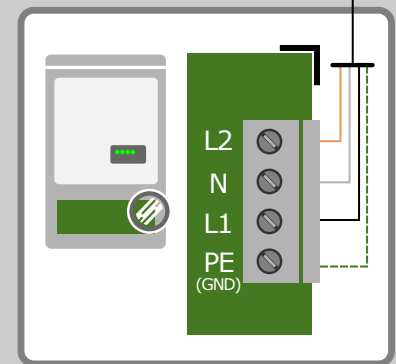
#4091



Main Panel



Backup Panel

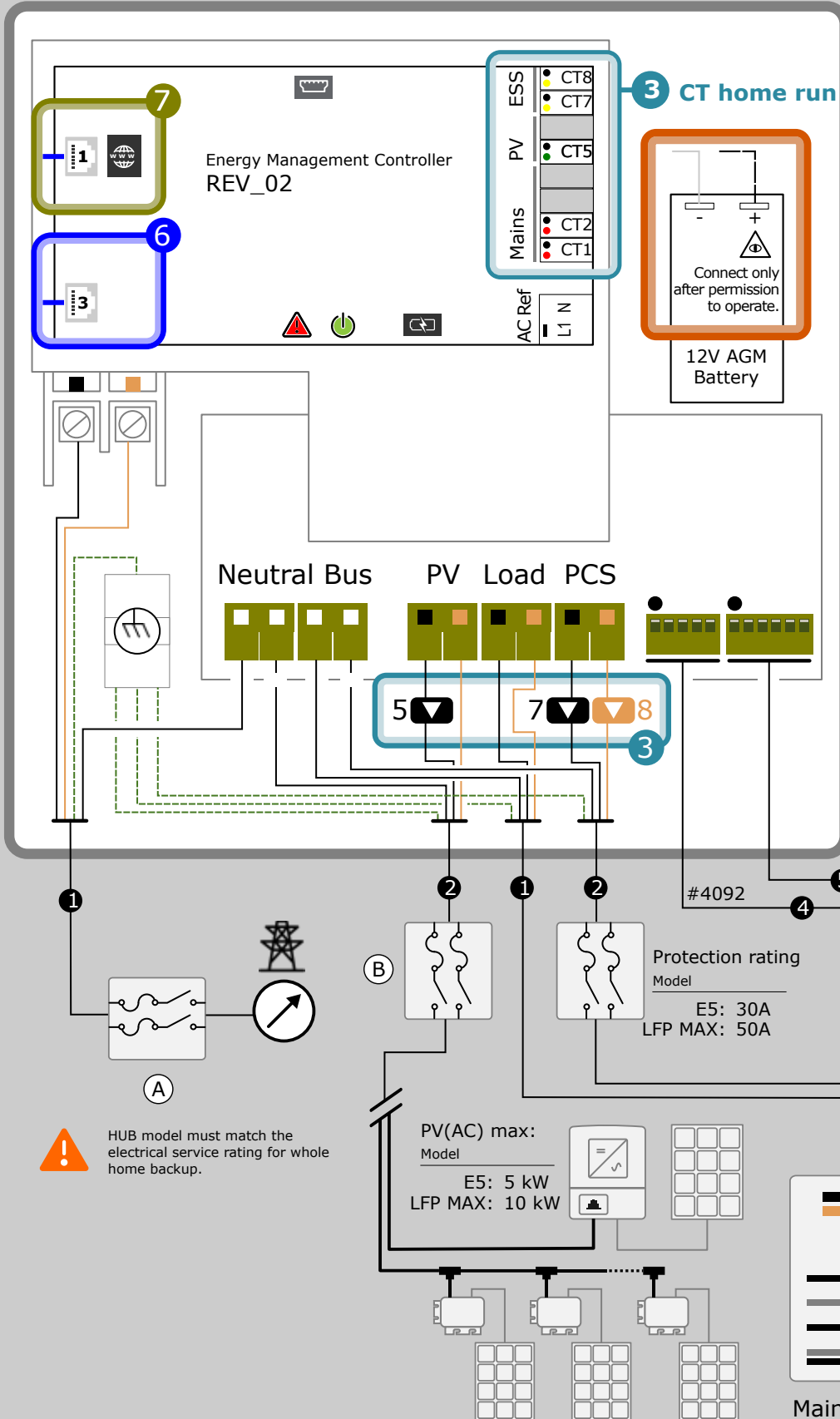
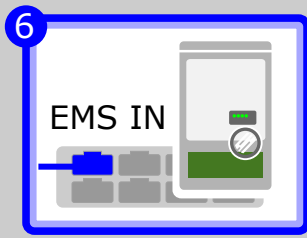


EVOLVE MODELS: E5 / LFP MAX Wiring Quick Guide

Whole Home Backup

1 = L1

CT1 placement determines the L1 phase for the entire system; including the Hub, ESS, and PV circuits.



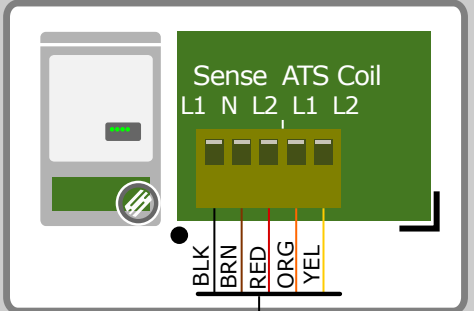
CT legend

- Blk
 - Wht
- Observe CT polarity and direction.

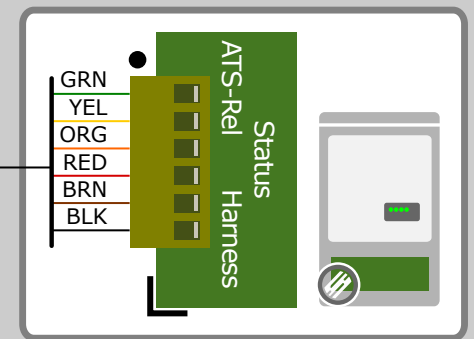


Wiring legend

- Hub model rated
 - #8/3 + GND
 - #18/2 UTP
 - 6c patch cable
 - 5c patch cable
 - CAT-5 patch cable
 - CAT-5 UTP to customer internet router
- included with equipment.
- (A) MAX HUB 200 = 200A max
MAX HUB = 100A max
 - (B) PV circuit protection sized for PV inverter AC output -- not to exceed ratings as per the applicable Evolve ESS model.



#4091



HUB model must match the electrical service rating for whole home backup.

PV(AC) max:
Model
E5: 5 kW
LFP MAX: 10 kW

Protection rating
Model
E5: 30A
LFP MAX: 50A

Main Panel

Register Device Online

The EMC UID and S/N are found on the label inside the Evolve Hub.



For FLEET INSTALLER USERS only

Installer@eguanatech.com

.....

log in

1 Login via web browser.

fleet.eguanatech.com/fleet_installer_users/sign_in

2 On-board (register) customer and device.

Add New Device

installer dashboard devices commissioning profiles customers blocks management

The following fields require completion before system commissioning.

Customer info: email, name (first/last), country, state.

Device info: UID, S/N, total inverter AC capacity kW (PV only), number of battery modules.

Device location: country, state

* For time of use (TOU) applications, refer to special instructions provided by the manufacturer at time of order.

* Gateway reports to cloud in 5 minute intervals. Allow up to 15 minutes for initial data.

Add Device

Internet connection is wired ethernet. Wifi or other network options are not supported.

3 Power up the Evolve ESS.

1. Turn ON all power switches on the battery modules.
2. Press the SW button on the master battery module.
2. Turn ON the battery disconnect (DC).
3. Turn ON the Evolve Hub breaker at the main panel.

*System commissioning is preconfigured for self-supply algorithm

4 Log into Fleet.Eguanatech.com/Fleet_installer_user/sign_in

1. Click on Devices.
2. Click on customer UID that was recently onboarded.
2. Go to Status Tab, confirm internet connection is established, will have a green Ethernet symbol.
3. Go to PCS status in status tab ,open Latest PCS reading and confirm Inverter is communicating .
4. Confirm "state" field is populated with information.

5 Configure the Gateway for ESS

Log into Fleet.Eguanatech.com/
Fleet_installer_user/sign_in

1. Click on Devices.
2. Click on Customer UID that was recently onboarded.
3. Go to Configuration tab , system configuration and click view and edit.
4. Open Configuration settings.
5. Configure timezone , algorithm mode , EMC interconnect type (Evolve Whole Home Hub with 100A Breaker).

Evolve Hub Commissioning Quick Guide Installer login account

5

Generation Curtailment Relay Type: Disabled

Critical Load Curtailment Relay Type: None

Time Zone: (GMT-08:00) CA - Pacific

Algorithm Mode: Time of Use

EMC Interconnect Type: Eguana Whole Home Hub with 100A Breaker

Discharge Power Buffer (W): 0

Generation Over Power Delay (mins): 5

*TOU plans not currently in the system can be requested at the time of order. The TOU plans are updated remotely.

Apply changes

6 Configure the CT's.

	CT Configuration				
click to edit →	CT1	CT2	CT5	CT7	CT8
CT type	Mains	Mains	Generation (PV)	Battery	Battery
CT phase	L1	L2	Balanced	L1	L2
Subtract from Loads	No	No	Yes	Yes	Yes
CT size	200	200	50	50	50

7 Verify CT direction.

Output power convention: load = + Watts, gen = - Watts

	CT Configuration				
	CT1	CT2	CT5	CT7	CT8
Watts	Mains	Mains	Generation (PV)	Battery	Battery
	+	+	-	+ chg - dischg	+ chg - dischg

If CT orientation is reversed, correct one of two ways:
a. Remove and mount CT in the opposite direction. OR
b. click on CTx and select

Inverted Yes

Save

Use the import & export configuration command buttons to save and copy configuration settings from one EMC to another.

Import Configuration

Export Configuration

Site Equipment Record

Take pictures as built.
Record all equipment serial numbers.