

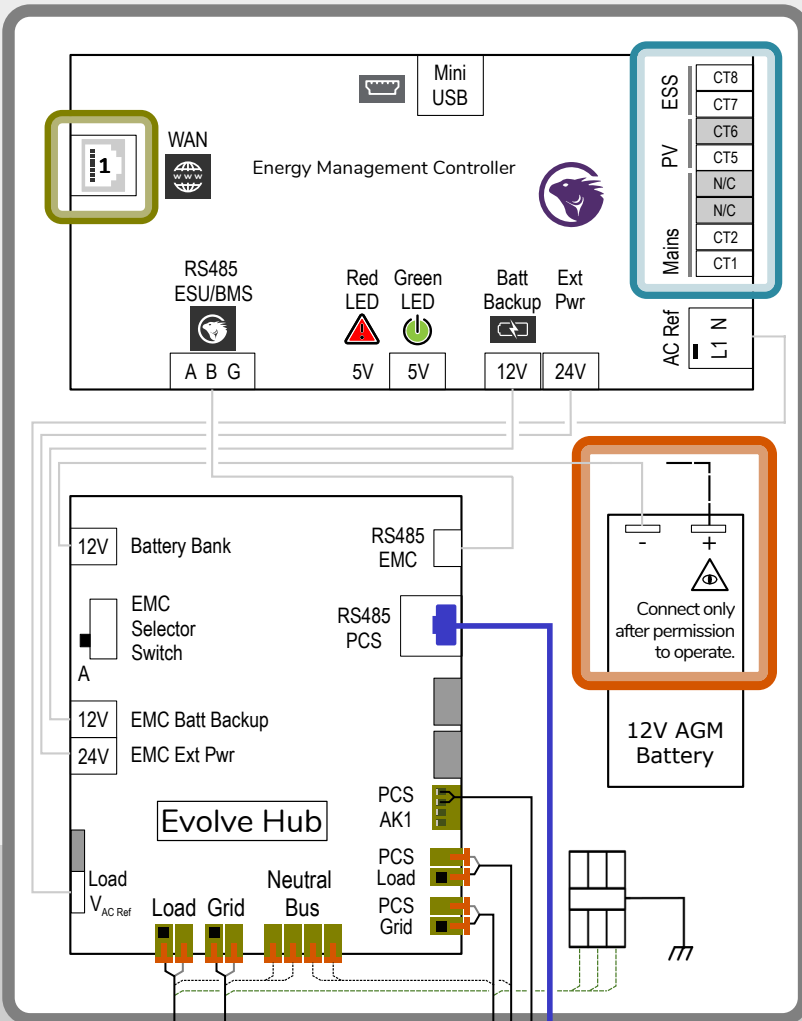


EGUANA



Evolve Hub Wiring Quick Guide

For use with Evolve ESS & Evolve LFP



Wiring legend

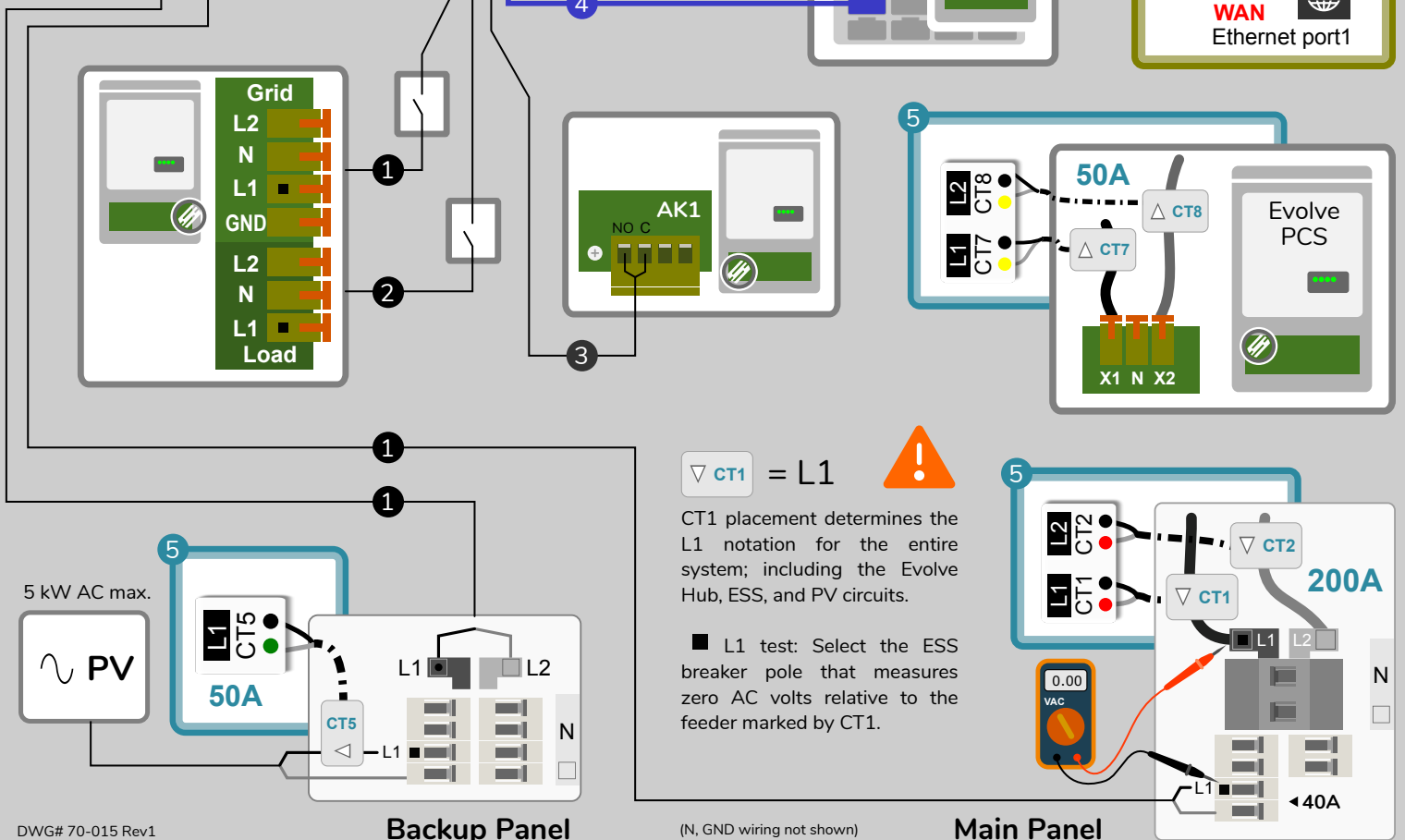
- 1 #8/3 + GND
 - 2 #8/3
 - ▶ 3 #18/2 UTP
 - ▶ 4 CAT-5 STP
 - 5 CT's include 8 ft pigtails. Extend with #18/2 UTP.
 - 6 CAT-5/6 UTP
- ▶ included with equipment.

CT legend

- Blk
- Red
- Green
- Yellow
- Wht

Observe CT polarity and direction.

Hard-wired customer internet connection recommended. Wi-Fi / cellular also supported.



▽ CT1 = L1



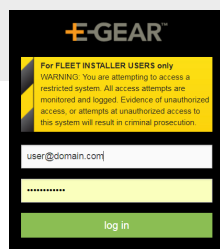
CT1 placement determines the L1 notation for the entire system; including the Evolve Hub, ESS, and PV circuits.

■ L1 test: Select the ESS breaker pole that measures zero AC volts relative to the feeder marked by CT1.

(N, GND wiring not shown)

Register Device Online

The EMC UID and S/N are found on the label inside the Evolve Hub.



1 Login via web browser.

| https://www.mypowermyway.com/fleet_installer_users/sign_in

2 On-board (register) customer and device. Add New Device

installer dashboard devices commissioning profiles customers blocks management

The following fields require completion before system commissioning.

Customer info: email, name (first/last), country, state.

Device info: UID, S/N, total inverter AC capacity kW (PV only), number of battery modules.

Device location: country, state

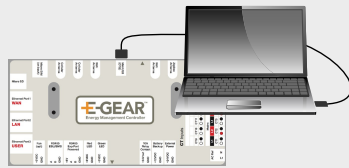
* For time of use (TOU) applications, refer to special instructions provided by the manufacturer at time of order.

* Gateway reports to cloud in 5 minute intervals. Allow up to 15 minutes for initial data.

Add Device

3 Power up the Evolve ESS.

1. Turn ON all power switches on the battery modules.
2. Press the SW button on the master battery module.
2. Turn ON the battery disconnect (DC).
3. Turn ON the Evolve Hub breaker at the main panel.



4 Connect your PC to the EMC mini USB port.

Skip step 5 and proceed to step 6 if the customer internet connection is wired ethernet or cellular.

5 Complete the Wi-Fi setup* via web-browser.

<https://10.3.2.1>

Join Network

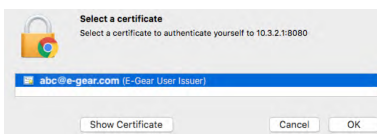
1. Enter user: egear password: mypowermyway
2. Proceed past security warning (if applicable).
2. Select customer **Wi-Fi SSID** and enter **password**.

* If applicable. Wi-Fi signal strength must be higher than 50/100 for a reliable connection. Customer internet connection required. If Wi-Fi not available, an ethernet connection from the customer router to EMC Ethernet port 1 (WAN) is required. IP is DHCP assigned from router.

6 Login to the EMC config application via web-browser.

<https://10.3.2.1:8080>

1. Proceed past security warning (if prompted, click advanced, ignore security warning).
2. Present the PKI certificate* loaded on your PC.



* Refer to the PKI certificate instructions if you have not already obtained one.

Evolve Hub Commissioning Quick Guide

Installer login account required

7 Configure the Gateway for the Evolve ESS. Confirm the following parameters. All others not shown are preset.

Gateway Configuration

Energy algorithms Zigbee Devices Other

Algorithm mode Self Supply or TOU*

Inverter type Eguana AC Battery

Interconnect Accessory Eguana Evolve Hub 40A

Energy algorithms Zigbee Devices Other

Onboard battery backup settings Onboard battery backup enabled

Miscellaneous settings YYYY-MM-DD hh:mm:ss State / Province

*TOU plans not currently in the system can be requested at the time of order. The TOU plans are updated remotely.

Apply changes

8 Configure the CT's.

CT Configuration

click to edit →	CT1	CT2	CT5	CT7	CT8
CT type	Mains	Mains	Generation (PV)	Battery	Battery
CT phase	L1	L2	Balanced	L1	L2
Subtract from loads	No	No	Yes	Yes	Yes
CT size	200	200	50	50	50

Update

Calibration mode None

Proceed

CT verification test:

Start step 9 with PV OFF. Mains readings on L1 and L2 should be positive. The battery readings should be near zero and positive. Turn PV ON and wait for grid connect. When generating, PV readings should be negative.

9 Verify CT direction.

Output power convention: load = + Watts, gen = - Watts

CT Configuration

	CT1	CT2	CT5	CT7	CT8
	Mains	Mains	Generation (PV)	Battery	Battery
Watts	+	+	-	+ chg - dischg	+ chg - dischg

If CT orientation is reversed, correct one of two ways:
a. Remove and mount CT in the opposite direction. OR
b. click on CTx and select

Inverted Yes

Update

Calibration mode None

Proceed

Use the import & export configuration command buttons to save and copy configuration settings from one EMC to another.

Import Configuration

Export Configuration

Site Equipment Record

Take pictures as built.
Record all equipment serial numbers.